


WARNING:

TO PREVENT FIRE OR SHOCK HAZARD, DO NOT EXPOSE THIS APPLIANCE TO RAIN OR MOISTURE. DO NOT REMOVE COVER. PILOT LAMPS SOLDERED IN PLACE. NO USER SERVICEABLE PARTS INSIDE. REFER SERVICING TO QUALIFIED SERVICE PERSONNEL.

 <p>The lightning flash with arrowhead symbol, within an equilateral triangle, is intended to alert user to the presence of uninsulated "dangerous voltage" within the product's enclosure that may be of sufficient magnitude to constitute risk of electric shock to persons.</p>	CAUTION RISK OF ELECTRIC SHOCK DO NOT OPEN <p>CAUTION: TO REDUCE THE RISK OF ELECTRIC SHOCK, DO NOT REMOVE COVER (OR BACK). NO USER - SERVICEABLE PARTS INSIDE. REFER SERVICING TO QUALIFIED SERVICE PERSONNEL.</p>	 <p>The exclamation point within an equilateral triangle is intended to alert user to the presence of important operating and maintenance (servicing) instruction in the literature accompanying the appliance.</p>
--	---	--

	CAUTION For Compact Disc Units Only: INVISIBLE LASER RADIATION WHEN OPEN AND INTERLOCK FAILED OR DEFEATED. AVOID DIRECT EXPOSURE TO LASER BEAM.
--	---

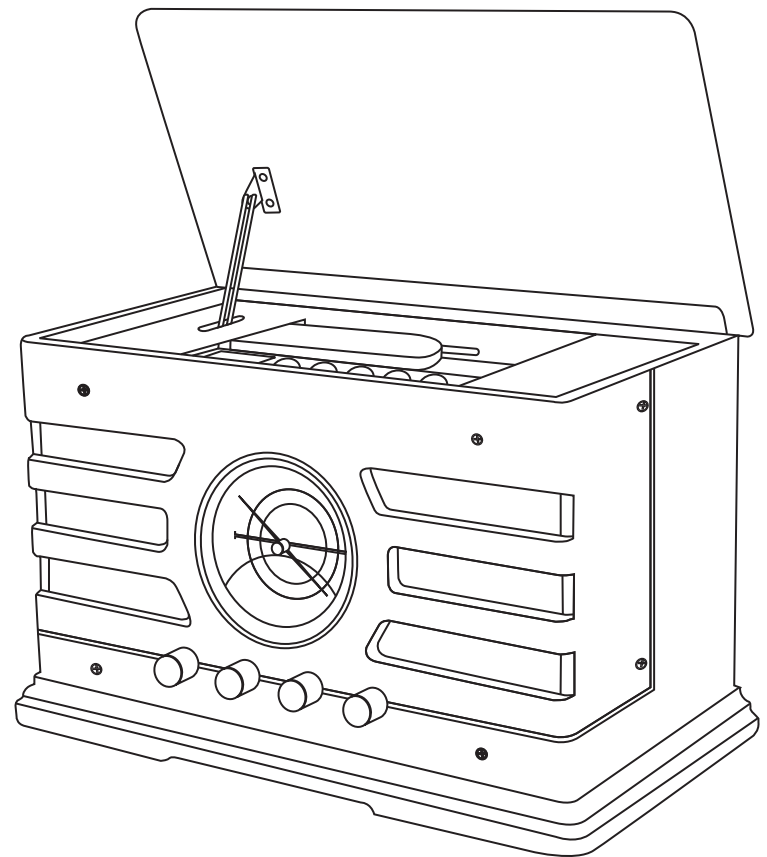
SPECIFICATION

Frequency Range	: FM 87.5 -108.5 MHz AM 525 -1710 KHz
Power Consumption	: 15 W
Power Source	: AC 120 ~ 60Hz
Antenna	: External antenna for FM Built in ferrite bar for AM
Speaker	: 3" x 5"oval Dynamic type x 2

* Design and specification subject to change without notice.

910-985000-006

CROSLEY®



MODEL: CR19CD INSTRUCTION MANUAL

IMPORTANT SAFETY INSTRUCTION

PLEASE READ CAREFULLY ALL THE FOLLOWING IMPORTANT SAFEGUARDS THAT ARE APPLICABLE TO YOUR EQUIPMENT

1. Read Instructions - All the safety and operating instructions should be read before the product is operated.
2. Retain instructions - The safety and operating instructions should be retained for future reference.
3. Heed Warnings - All warnings on the product and in the operating Instructions should be adhered to.
4. Follow Instructions - All operating and use instructions should be followed.
5. Cleaning - Unplug this product from the wall outlet before cleaning. Do not use liquid cleaners or aerosol cleaners. Use a damp cloth for cleaning.
6. Attachments - Do not use attachments not recommended by the product manufacturer as they may cause hazards.
7. Water and Moisture - Do not use this product near water - for example, near a bath tub, wash bowl, kitchen sink, or laundry tub; in a wet basement; or near a swimming pool; and the like.
8. A product and cart combination should be moved with care. Quick stops, excessive force, and uneven surfaces may cause the product and cart combination to overturn.
9. Ventilation - Slots and openings in the cabinet are provided for ventilation and to ensure reliable operation of the product and to protect it from overheating, and these openings must not be blocked or covered. The openings should never be blocked by placing the product on a bed, sofa, rug, or other similar surface. This product should not be placed in a built-in installation such as a bookcase or rack unless proper ventilation is provided or the manufacturer's instructions have been adhered to.
10. Power Sources - This product should be operated only from the type of power source indicated on the marking label, if you are not sure of the type of power supply to your home. Consult your product dealer or local power company. For products intended to operate from battery power, or other sources, refer to the operating instructions.
11. Grounding or Polarization - This product may be equipped with a polarized alternating-current line plug (a plug having one blade wider than the other). This plug will fit into the power outlet only one way. This is a safety feature. If you are unable to insert the plug fully into the outlet try reversing the plug. If the plug should still fail to fit, contact your electrician to replace your obsolete outlet. Do not defeat the safety purpose of the polarized plug.
12. Power - Cord Protection - Power - supply cords should be routed so that they are not likely to be walked on or pinched by items placed upon or against them, paying particular attention to cords at plugs, convenience receptacles, and the point where they exit from the product.
13. Lightning - For added protection for this product during a lightning storm, or when it is left unattended and unused for long periods of time, unplug it from the wall outlet and disconnect the antenna or cable system. This will prevent damage to the product due to lightning and power - line surges.
14. Power Lines - An outside antenna system should not be located in the vicinity of overhead power lines or other electric light or power circuits, or where it can fall into such power lines or circuits. When installing an outside antenna system, extreme care should be taken to keep from touching such power lines or circuits as contact with them might be fatal.
15. Overloading - Do not overload wall outlets, extension cords, or integral convenience receptacles as this can result in a risk of fire or electric shock.
16. Object and Liquid Entry - Never push objects of any kind into this product through openings as they may touch dangerous voltage points or short - out parts that could result in a fire or electric shock. Never spill liquid of any kind on the product.
17. Servicing - Do not attempt to service this product yourself as opening or removing covers may expose you to dangerous voltage or other hazards. Refer all servicing to qualified service personnel.
18. Damage Requiring Service - Unplug this product from the wall outlet and refer servicing to qualified service personnel under the following conditions:
 - a. When the power-supply cord or plug is damaged.
 - b. If liquid has been spilled, or objects have fallen into the product.
 - c. If the product has been exposed to rain or water.
 - d. If the product does not operate normally by following the operating instructions. Adjust only those controls that are covered by the operating instructions as an improper adjustment of other controls may result in damage and will often require extensive work by a qualified technician to restore the product to its normal operation.
 - e. If the product has been dropped or damaged in any way.
 - f. When the product exhibits a distinct change in performance - this indicates a need for service.
19. Replacement Parts - When replacement parts are required, be sure the service technician has used replacement parts specified by the manufacturer or have the same characteristics as the original part. Unauthorized substitutions may result in fire, electric shock, or other hazards.
20. Safety Check - Upon completion of any service or repairs to this product, ask the service technician to perform safety checks to determine that the product is in proper operating condition.
21. Wall or ceiling Mounting - The product should be mounted to a wall or ceiling only as recommended by the manufacturer.
22. Heat - The product should be situated away from heat sources such as radiators. Heat registers, stoves, or other products (including amplifiers) that produce heat.

WARNING: Changes or modifications to this unit not expressly approved by the party responsible for compliance could void the user's authority to operate the equipment.

NOTE: This equipment has been tested and found to comply with the limits for a Class B digital device, pursuant to Part 15 of the FCC Rules. These limits are designed to provide reasonable protection against harmful interference in a residential installation. This equipment generates, uses, and can radiate radio frequency energy and, if not installed and used in accordance with the instructions, may cause harmful interference to radio communications. However, there is no guarantee that interference will not occur in a particular installation. If this equipment does cause harmful interference to radio or television reception, which can be determined by turning the equipment off and on, the user is encouraged to try to correct the interference by one or more of the following measures:

- Reorient or relocate the receiving antenna.
- Increase the separation between the equipment and receiver.
- Connect the equipment into a circuit different from that to which the receiver is connected.
- Consult the dealer or an experienced radio TV technician for help.

WARRANTY

Crosley Radio Products are warranted against defects in material and workmanship for a period of 90 days beginning from the date of sale to the original purchaser.

Should the unit fail under normal usage during the 90 day warranty period, a request for RETURN AUTHORIZATION (R.A.) must be made by the original customer before returning the unit. Call Crosley Radio customer service for Return Authorization at (502) 583-4246 from 9 AM to 5 PM (EST) Monday to Friday.

Upon receiving the RETURN AUTHORIZATION number from the Customer Service Department, properly pack your unit in its original packaging. Include any adapters, parts, & accessories which were originally provided with the product, along with a check or money order for \$19.95 made out to Crosley Radio to cover the handling and return postage. Display the R.A. # on the outside of the carton and ship PREPAID via standard UPS or its equivalent.

CROSLEY RADIO

ATTN: RETURNS DEP'T
2001 PRODUCTION DRIVE
BAY 2 & 3
LOUISVILLE, KY 40299

CROSLEY RADIO assumes no responsibility for units sent without prior Return Authorization.

The purchaser's bill of sale is the only proof of warranty entitlement and must accompany the unit.

The warranty does not cover damage due to acts of nature, accident, misuse, abuse, negligence, commercial use or modification of, or to any part of the product. This warranty does not cover damage due to improper operation or maintenance, connection to improper voltage supply, or attempted repair by anyone other than a facility authorized by Crosley Radio to service the product. This warranty does not cover products sold AS IS or consumables (such as fuses or batteries). This warranty is valid only in the United States.

This warranty gives the purchaser specified legal rights in addition to any rights which may vary from state to state.

In accordance with the "Moss-Magnuson Warranty Act" of July 10, 1975, this is termed a "limited warranty" which in no way compromises Crosley Radio, high standards of Quality and Workmanship.

POWER SOURCE

Unwind the AC power cord at the back of the unit and connect it to the power outlet.

RADIO OPERATION

1. Turn the unit on by switching the ON / OFF (6) to ON position.
2. Switch the function knob to TUNER (3).
3. Select the desired sound level by turning the VOLUME CONTROL (6).
4. Select the Waveband by switch the BAND (4) selector.
5. Turn the TUNING (5) to select desired broadcast station.
6. To turn the unit off by switching the ON / OFF (6) to OFF position.

ANTENNA

For FM reception, a wire is provided. Move the wire until the reception is clear. Do not connect the external Fm antenna to any other antenna.

AUX IN OPERATION

1. Select the function knob (3) to AUX position.
2. Connect the cable of an external unit (CD, Turntable, TV, ect.) To the AUX IN PLUG (20).

CD OPERATION

PLAYBACK

1. Switch the FUNCTION BUTTON (3) to select CD mode.
2. Release the CD player arm (9) and insert the disc with the labelled side facing upward onto the tray.
3. Place the CD player arm (9) back in place, the display will show " _ " for a few seconds, then the total number of tracks of the disc will be displayed. "00" will be shown when there is no disc inside the compartment.
4. Press the PLAY/PAUSE BUTTON (16) to start playback and the play mode indicator(15) will be on.
5. Adjust the VOLUME CONTROL (6) as desired.
6. To stop playback temporarily, press the PLAY/PAUSE BUTTON (16). The play mode indicator will flash. Press the PLAY/PAUSE BUTTON (16) again to resume playback.
7. To stop playback, press the STOP BUTTON (17) and the play mode indicator will be off.

FORWARD SKIP AND BACKWARD SKIP

1. Press the FORWARD SKIP (13) or BACKWARD SKIP (14) button to select a desired track.
2. Press the PLAY/PAUSE BUTTON (16) to start playback of the selected track.

SEARCH FORWARD AND BACKWARD DURING PLAYBACK

1. Press the FORWARD SKIP (13) or BACKWARD SKIP (14) and keep it pressed to search forward or backward for the desired point on the track.
2. Release the button at the desired point, playback will resume automatically.

REPEAT PLAYBACK

1. To select the single track repeat function, choose the track that you want to repeat, then press "PLAY/PAUSE BUTTON" (16) to play the track. Press the REPEAT BUTTON (12) once, to activate the single track repeat and the REPEAT INDICATOR (11) will flash.
2. To select the all tracks repeat function, Press the "PLAY/PAUSE BUTTON" to start the track. Press the REPEAT BUTTON (12) twice, to activate the all tracks repeat function and the indicator (11) will remain on.
3. To erase the repeat function, press again the REPEAT Button (12) until the indicator (11) is off or release the CD player arm.

PROGRAMMED PLAYBACK

1. Press the PROGRAMME BUTTON (18). "Pr" will shown on the display and the programme indicator will flash.
2. Press the FORWARD SKIP (13) or BACKWARD SKIP (14) to make track selection.
3. Press the PROGRAMME BUTTON (18) again to instore the selected track number.
4. Repeat steps 2 and 3 above to program other tracks.
5. Press the PLAY/PAUSE BUTTON (16) to start programmed playback and the programme indicator will be on.
6. To erase the programmed sequence, press the STOP BUTTON (17) twice or until the indicator is off.

NOTE: Maximum of 16 tracks can be programmed to play in any order.

TROUBLESHOOTING GUIDE

The unit does not operate

- * Is the AC power cord connected to a power outlet and fully inserted ?
- * Is the unit turned on ? Rotate the FUNCTION knob from the OFF position to turn on the unit.

No radio

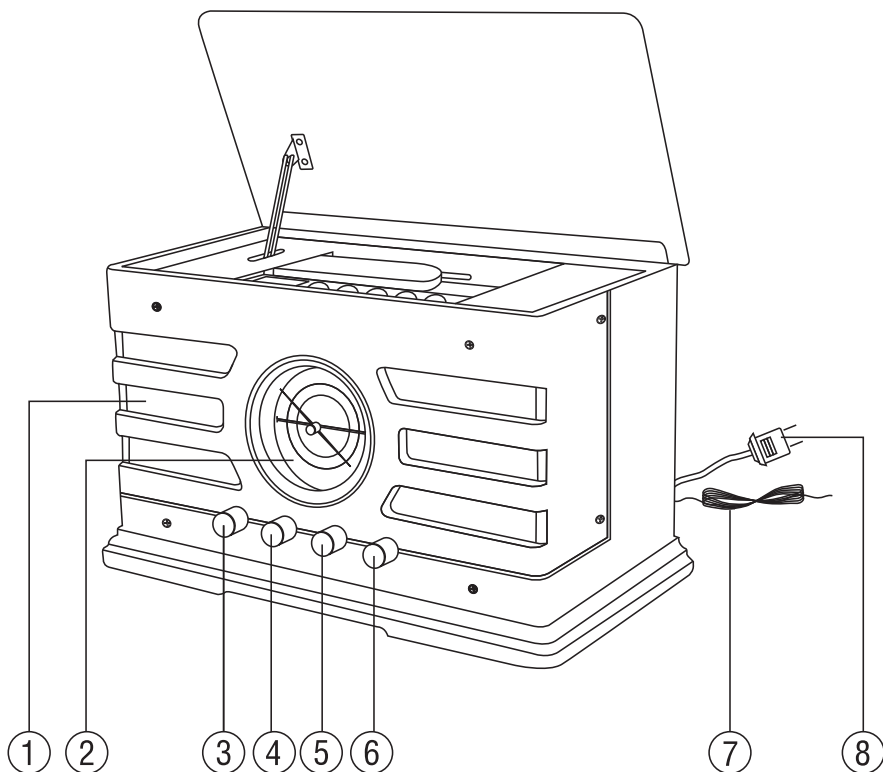
- * Is the FUNCTION switch in the correct position ? Turn FUNCTION switch to Radio.
- * Adjust the VOLUME knob.
- * Rotate the TUNING knob to find a radio station.

POLARIZED ELECTRICAL PLUG INSTRUCTIONS

This product is equipped with a polarized alternating current line plug (a plug having one blade wider than the other). This plug will fit into the power outlet only one way. This is a safety feature. If you are unable to insert the plug fully into the outlet, try reversing the plug. If the plug should still fail to fit, contact you electrician to replace your obsolete outlet. Do not defeat the purpose of the polarized plug.

LOCATION OF PARTS

1. Speakers
2. Radio Dial Display
3. Tuner / CD / AUX
4. AM / FM / FM St. Band Switch
5. Tuning
6. On / Off Switch Volume Control
7. Antenna
8. Power Connection Plug
9. CD Player Arm
10. LED display
11. Repeat Indicator
12. Repeat
13. Forward Skip
14. Backward Skip
15. Play/Pause Indicator
16. Play/Pause
17. Stop
18. Programme
19. Programme Indicator
20. AUX IN Jack



Back Fibre Board

